

► Sterivalve



► Sterivalve

The **Sterivalve** is the most advanced technological answer to interception problems in pharmaceutical, chemical and food industry products.



The **Sterivalve** is designed to satisfy the severe hygienic and functional requirements put forth by the said industries. The particular compact design, free of recesses and interstices allows total cleaning of the valve.

Upon customer's request SteriValves can personalize its products. It is therefore possible to choose materials, dimensions and technical specifications to meet various requirements.

The special clamp that is supplied with the valve (quick open versions) makes it more ergonomic and sterile.

The **Sterivalve** is also a part of the modular system offered by SteriValves. This system allows the interchangeability of all the components pertaining to the range of sanitary valves.



Technical characteristics

- ▶ Valve body in AISI 316L
- ▶ Disc in AISI 316L
- ▶ Gasket in silicone, EPDM, viton (FDA CFR 177.2600) or PTFE
- ▶ PTFE bushings
- ▶ Clamp in AISI 304 [for the quick open versions]
- ▶ Handle and top plate in AISI 304
- ▶ Rotary pneumatic actuator

Mediums:

- ▶ powders
- ▶ granules
- ▶ gels
- ▶ liquids

Finish:

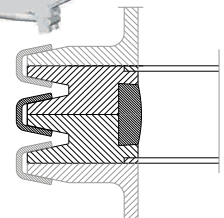
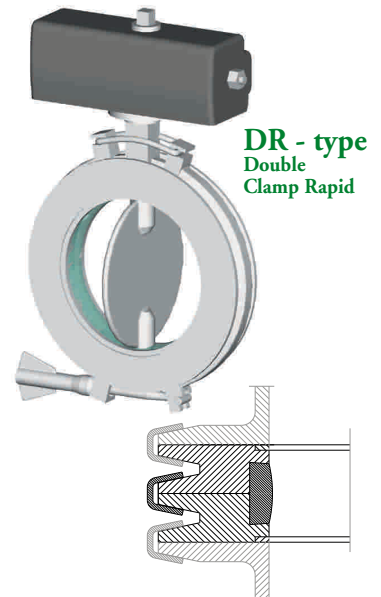
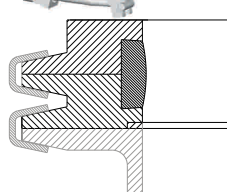
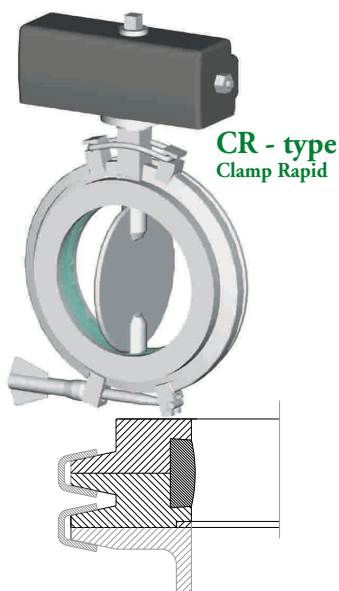
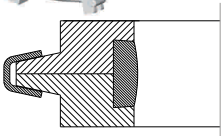
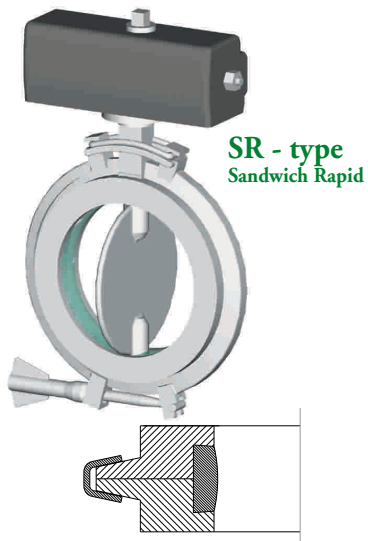
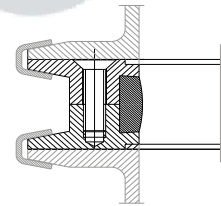
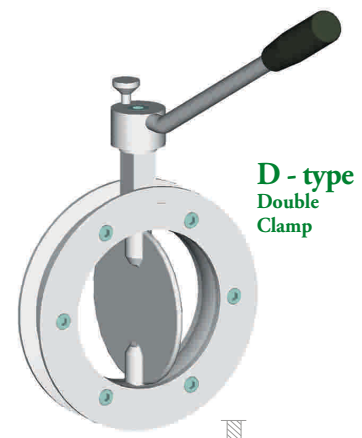
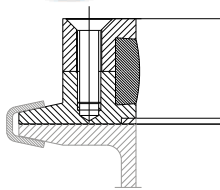
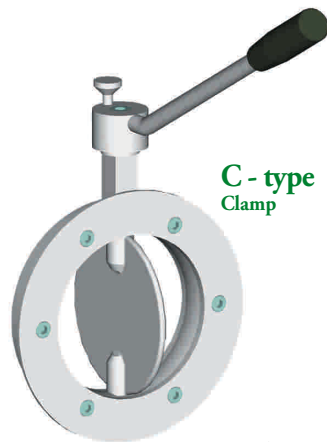
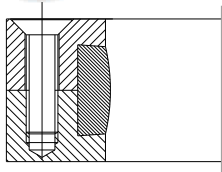
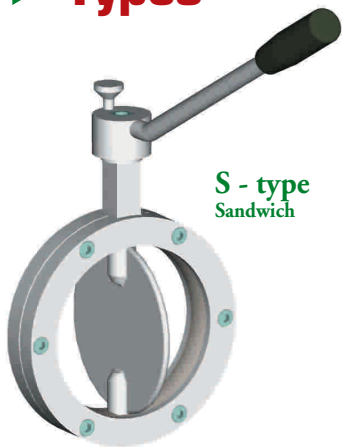
- ▶ satin [Ra < 0.6 µm]
- ▶ ceramic sandblasting
- ▶ polished [Ra < 0.1 µm]
- ▶ electro-polished

Accessories

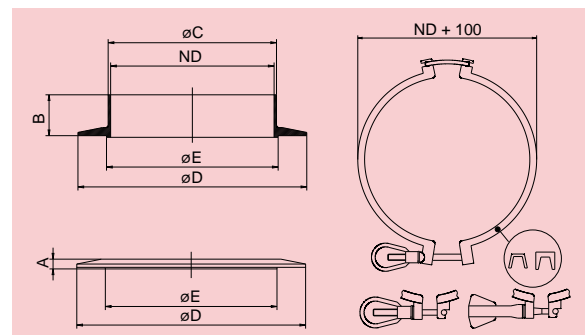
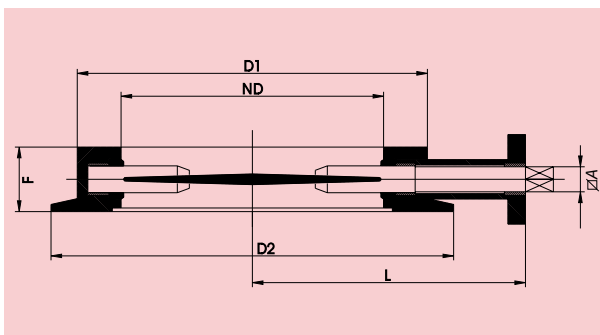
- ▶ Interface SteriFlange in AISI 316L [O-ring upon request]
- ▶ Blanking SteriPlate in AISI 316L [O-ring upon request]
- ▶ Various clamp versions in AISI 304
- ▶ Ferrules (TC, spigots), hoppers, flanges, pipes
- ▶ SilHose, SilEnd, SilCap, in transparent silicone



► Types



► Dimensions



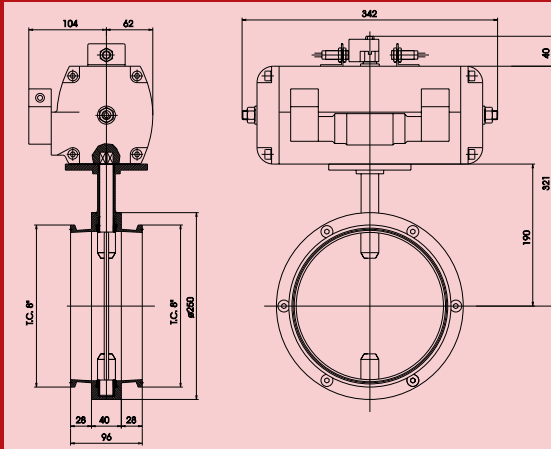
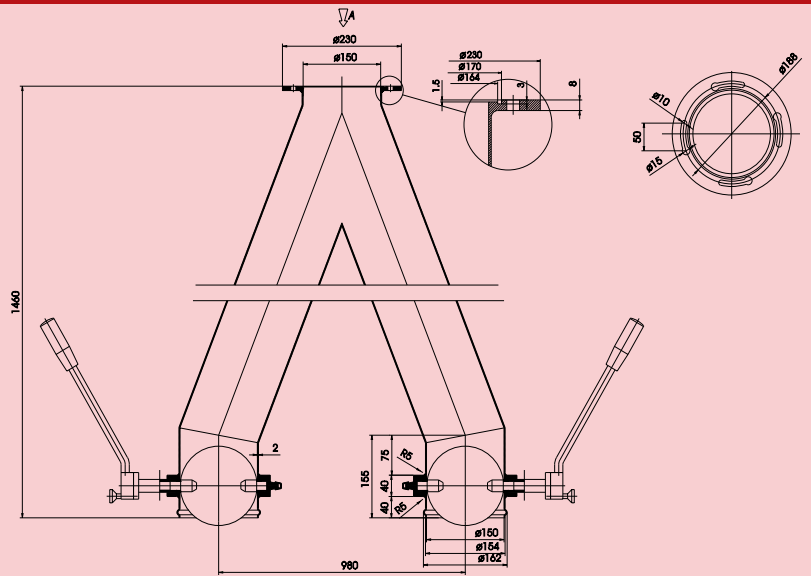
| ND | D1 | D2 | F | L | øA |
|-----|-----|-----|----|-----|-----|
| 80 | 130 | 145 | 36 | 120 | ø11 |
| 100 | 150 | 180 | 36 | 130 | ø11 |
| 150 | 200 | 230 | 40 | 165 | ø14 |
| 200 | 250 | 280 | 40 | 190 | ø14 |
| 250 | 300 | 330 | 45 | 225 | ø17 |
| 300 | 350 | 380 | 45 | 250 | ø17 |

| ND | A | B | C | D | E |
|-----|---|----|-----|-----|-----|
| 80 | 7 | 50 | 86 | 145 | 90 |
| 100 | 7 | 50 | 106 | 180 | 110 |
| 150 | 7 | 50 | 156 | 230 | 160 |
| 200 | 7 | 50 | 206 | 280 | 210 |
| 250 | 8 | 50 | 256 | 330 | 260 |
| 300 | 8 | 50 | 306 | 380 | 310 |

► Applications



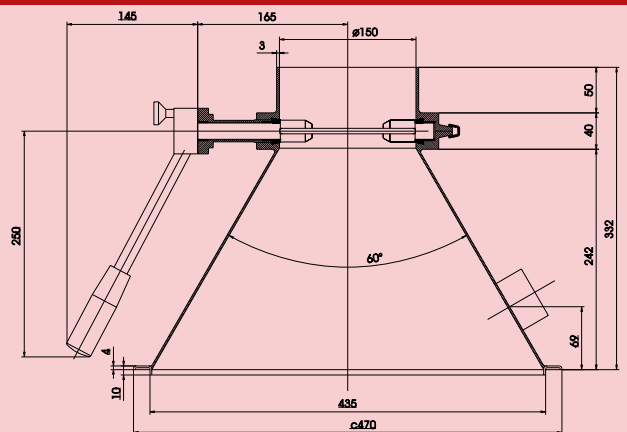
AISI 316L stainless steel Y-pipe ND 150, mirror polished inside [Ra < 0,6µm]. Hand operated butterfly valves **Sterivalve** ND 150 SR-type with special spigot.



Butterfly valve **Sterivalve** ND 200 S-type with 8" TC ferrules both sites.



Butterfly Valve **Sterivalve** ND 150 SR-type with special hopper suitable to match standard drums.



SteriValves srl
Via Enrico Mattei, 393
55100 • Mugnano • Lucca • ITALY
Tel. +39.0583.440.560
Fax +39.0583.440.559
E-mail info@sterivalves.com
<http://www.sterivalves.com>