

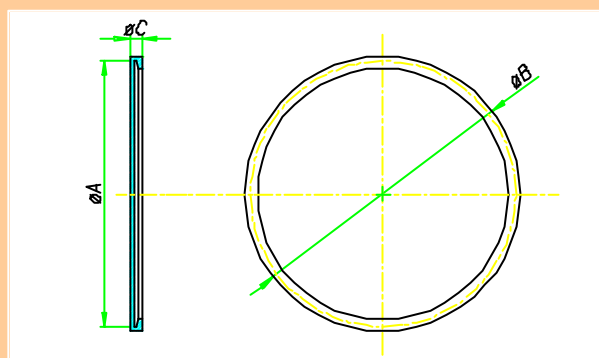
► SilCap

- Cap in transparent silicone according to FDA 21 CFR 177.2600 to protect the disc of our butterfly valve against crash or contamination.
- It is very easy to be put on and it seals without clamp or other tools.
- SilCap can be utilized also to make dustless connections. In connection with SilCap are available borders and clamps
- It can be quick and easy remove to be cleaned or sterilized.



? Dimensions

ND	ø A	ø B	ø C
100	180	188	10,5
150	230	238	10,5
200	280	288	10,5
250	330	338	10,5



SteriValves Srl
Via Enrico Mattei, 393
55100 Lucca • ITALY
Tel. +39.0583.440.560
Fax +39.0583.440.559
E-mail info@sterivalves.com
<http://www.sterivalves.com>